

JVC

SERVICE MANUAL

COLOUR TELEVISION

BASIC CHASSIS

CG

AV-21FM(-A)

This service manual mainly consists of the following items:

- The items which differ from those for the AV-21FM service manual.
- The initial value for each setting item.

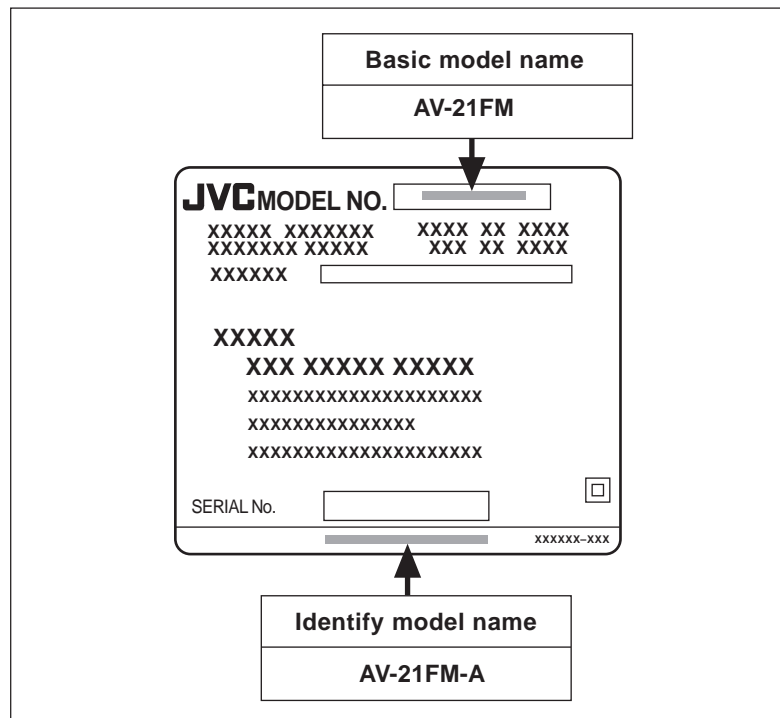
For details other than those described in this manual, please refer to the following service manual.

Reference Service Manual: AV-21FM Service Manual (No. 51723, Apr. 2000)

Note: The page in parentheses shows the one for the AV-21FM service manual (No. 51723, Apr. 2000).


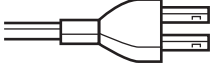
HOW TO IDENTIFY MODEL

While referring to the illustration given below, identify model name on the rating label affixed to the rear cover.



PARTS DIFFERENCE TABLE

The different parts between AV-21FM and AV-21FM(-A) are described below:

△	REF. NO.	AV-21FM	AV-21FM(-A)	PART NAME	DESCRIPTION
		PART No.	PART No.		
■ EXPLODED VIEW PARTS LIST (Page 32)					
△	14	QMP40D0-200J5 or QMP40D0-200J3 	QMPR010-200-E2 or QMPR010-200-K2 	POWER CORD	
△	19	LC20377-001B-H	LC20413-002B-H	RATING LABEL	
■ PACKING PARTS LIST (Page 38)					
	1	LC10453-090A-H	GG10056-003A-H	PACKING CASE	
△	8	LCT0729-001A-H	LCT0750-001A-H	DIGEST MANUAL	
△	—	—	QAM0055-001	CONVERSION PLUG	

SPECIFICATIONS (Page 2)

Item		Content
Dimensions (W × H × D)		619mm × 458mm × 486.5mm
Mass		22kg
TV RF System		B / G, I, D / K, K1, M
Colour System	TV Mode	PAL / SECAM / NTSC3.58 / NTSC4.43
	VIDEO Mode	PAL / SECAM / NTSC3.58 / NTSC4.43
Receiving Frequency	VHF (VL)	46.25MHz ~ 168.25MHz
	VHF (VH)	175.25MHz ~ 463.25MHz
	UHF	471.25MHz ~ 863.25MHz
	CATV	● Cable TVs of Mid (X-Z, S1-S10) Super (S11-S20) & Hyper (S21-S41) bands receivable
Intermediate Frequency	VIF Carrier	38.0MHz
	SIF Carrier	31.5MHz (6.5MHz)
		32.0MHz (6.0MHz)
		32.5MHz (5.5MHz)
33.5MHz (4.5MHz)		
Colour Sub Carrier Frequency		PAL (4.43MHz) SECAM (4.40625MHz / 4.25MHz) NTSC (3.58MHz / 4.43MHz)
Aerial Input Terminal		75Ω Unbalanced
Power Input		AC110 ~ 240V, 50/60Hz
Power Consumption		105W (Max.) / 68W (Avg.)
Picture Tube		Visible size : 51cm measured diagonally
High Voltage		26.5kV ± 1.5kV (at zero beam current)
Speaker		6cm × 12cm Oval type × 2
Audio Output		5W (Monaural)
Input	Video	1Vp-p, 75Ω
	Audio	500mVrms (-4dBs), High impedance
Output	Video	1Vp-p, 75Ω
	Audio	500mVrms (-4dBs), Low impedance
Headphone Jack		Stereo mini jack (3.5ø)
Remote Control Unit		RM-C364-1H (Battery size : AA/R06/UM-3 × 2)

Design & specifications are subject to change without notice.

SPECIFIC SERVICE INSTRUCTIONS

SETTING OF SYSTEM CONSTANT SET (Page 9)

Table 1

Setting item	Setting contents	Setting value
COLOUR	<input type="checkbox"/> MULTI. <input type="checkbox"/> TRIPLE <input type="checkbox"/> PAL <input type="checkbox"/>	MULTI
BILINGUAL	<input type="checkbox"/> YES <input type="checkbox"/> NO <input type="checkbox"/>	NO
TUNER	<input type="checkbox"/> MU <input type="checkbox"/> MA <input type="checkbox"/>	MU
ECO SENSOR	<input type="checkbox"/> YES <input type="checkbox"/> NO <input type="checkbox"/>	YES
LANGUAGE	<input type="checkbox"/> E/R/A/F <input type="checkbox"/> E/A/F <input type="checkbox"/> E/A <input type="checkbox"/> E/F <input type="checkbox"/>	E/R/A/F
B/B SOUND	<input type="checkbox"/> ON <input type="checkbox"/> OFF <input type="checkbox"/>	ON
LOCK	YES ↔ 10 ↔ 20 ↔ ... ↔ 230 ↔ 250 ↔ 240 ←	180
COLOUR AUTO	<input type="checkbox"/> YES <input type="checkbox"/> NO <input type="checkbox"/>	YES
QSS	<input type="checkbox"/> MINT <input type="checkbox"/> MQSS <input type="checkbox"/>	MINT
ALC	<input type="checkbox"/> YES <input type="checkbox"/> NO <input type="checkbox"/>	NO
TEXT RATE	10 ↔ 20 ↔ 40 ↔ 80	20
AMP TUNER	<input type="checkbox"/> YES <input type="checkbox"/> NO <input type="checkbox"/>	NO

USER SETTING VALUES (Page 9)

Table 2

Setting item	Setting value	Setting item	Setting value
SUB POWER	ON	PICTURE MODE (VSM)	BRIGHT
CHANNEL POSITION	1 POSITION	VNR	OFF
CHANNEL PRESET	Refer to OPERATING INSTRUCTION	OFF TIMER	OFF
		LANGUAGE	ENGLISH
VOLUME	Appropriate sound volume	AUTO SHUTOFF	OFF
TV/VIDEO	TV	ECO SENSOR	OFF
ON SCREEN DISPLAY	POSITION NUMBER DISPLAY	BLUE BACK	OFF
COLOUR SYSTEM	AUTO PAL	ON TIMER	PR1 0:00
SOUND SYSTEM	B / G	CHILD LOCK	OFF

SERVICE ADJUSTMENTS

■ Initial Setting Value


■ IF CIRCUIT ADJUSTMENT -- Adjustment of DELAY POINT (Page 17)

Setting (Adjustment) Item		Variable range	Initial setting value
DELAY POINT (AGC TAKE-OVER)	NTSC3.58	0 ~ 127	48
	Others		43

■ V/C (VIDEO/CHROMA) CIRCUIT ADJUSTMENT (Page 17)

[SUB MENU 2. V/C]

Setting item	Colour system	Variable range	Initial setting value			
			PAL	SECAM	NTSC 3.58	NTSC 4.43
1. CUT OFF (R / G / B)		-128 ~ +127	-50	←	←	←
2. DRIVE (R / B)		-64 ~ +63	0	←	←	←
3. BRIGHT		-128 ~ +127	0	←	←	←
4. CONT.		-64 ~ +63	0	←	←	←
5. COLOUR (P / S / N3 / N4)		-64 ~ +63	0	←	←	←
6. TINT (N3 / N4)	TV / VIDEO	-64 ~ +63	—	—	0 / +8	0 / 0
7. SECAM BL ADJUST		-32 ~ +31	0	←	←	←
8. SHARP	TV / VIDEO	-32 ~ +31	-5 / +15	←	←	←

 : Do not adjust.

Adjustment of SUB COLOUR-II (Page 20)

Adjustment part	Description
5. COLOUR	
PAL COLOUR	Value (A) in the figure: Set to +9V (W & G) .
SECAM COLOUR	Value (A) in the figure: Set to +6V (W & G) .
NTSC 3.58 COLOUR	Value (A) in the figure: Set to +6V (W & G) .

Adjustment of SUB TINT-II (Page 21)

Adjustment part	Description
6. TINT	
NTSC 3.58 TINT	Value (B) in the figure: Set to +2V (W & Cy) .

■ DEFLECTION CIRCUIT ADJUSTMENT (Page 23)

[SUB MENU 4. DEF]

Setting item	Adjustment name	Variable range	Initial setting value	
			50Hz	60Hz
1. VER. POSITION	Vertical center	-4 ~ +3	-1	-3
2. HOR. POSITION	Horizontal center	-16 ~ +15	+3	+3
3. VER. HEIGHT	Vertical height	-64 ~ +63	-35	+1
4. VER. LINEARITY	Vertical linearity	-32 ~ +31	+15	-1
5. VER. SCURVE	Vertical scurve	-32 ~ +31	-32	0
6. HOR. VCO ADJUST	Horizontal VCO	-64 ~ +63	0	0

: Do not adjust.

■ VSM PRESET ADJUSTMENT (Page 25)

[Setting Values for SUB MENU 4. VSM PRESET]

VSM preset mode VSM Setting item	BRIGHT	STANDARD	SOFT
TINT SETTING VALUE	+15	←	←
COLOUR SETTING VALUE	+15	←	←
BRIGHT SETTING VALUE	+15	←	←
CONT. SETTING VALUE	+30	+15	+11
SHARP SETTING VALUE	+15	+15	+12

: Do not adjust.

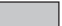
■ PRESET ADJUSTMENT (Page 26)

[SUB MENU 5. PRESET]

Colour system		Initial setting value			
		PAL	SECAM	NTSC 3.58	NTSC 4.43
1. C-TRAP FIX		1	←	←	←
2. SHARP PEAK		0	←	—	—
3. ABL		1	←	—	—
4. GAMMA		0	←	←	←
5. Y.DELAY TIME	TV	0	2	2	3
	VIDEO	0	2	0	2
6. BLACK EXP START		3	←	←	←
7. C-BPF	TV	1	←	0	←
	VIDEO	1	←	←	←
8. CW/SCP		0	←	←	←
9. V.IF DET. LEVEL		0	←	←	←
11. IF AGC MIN.		0	←	←	←
12. V.IF AGC		0	←	←	←
13. V.IF PMOD		0	←	←	←
19. VNR		15	←	←	←
20. RGB LIM.		1	←	←	←
21. RGB LIMIT LEVEL		2	←	←	←
23. TEXT H. POSITION		-3	←	←	←
24. READ DATA		—	—	—	—

 : Do not adjust.

TV RF system		Initial setting value			
		B/G	I	D/K	M
10. S.IF DET. LEVEL		0	←	←	←
14. S.IF BPF BW ADJUST		0	←	←	←
15. S.IF TRAP FO ADJUST		0	←	←	←
16. S.IF TRAP FO ADJUST 2		0	←	←	←
17. S.IF-TRAP		0	←	←	←
18. S.IF-BPF		0	←	←	1
22. S.IF SW		1	←	←	0

 : Do not adjust.



JVC

VICTOR COMPANY OF JAPAN, LIMITED
TELEVISION RECEIVER DIVISION 1106 Heta, Iwai-city, Ibaraki-prefecture, 306-0698, Japan

